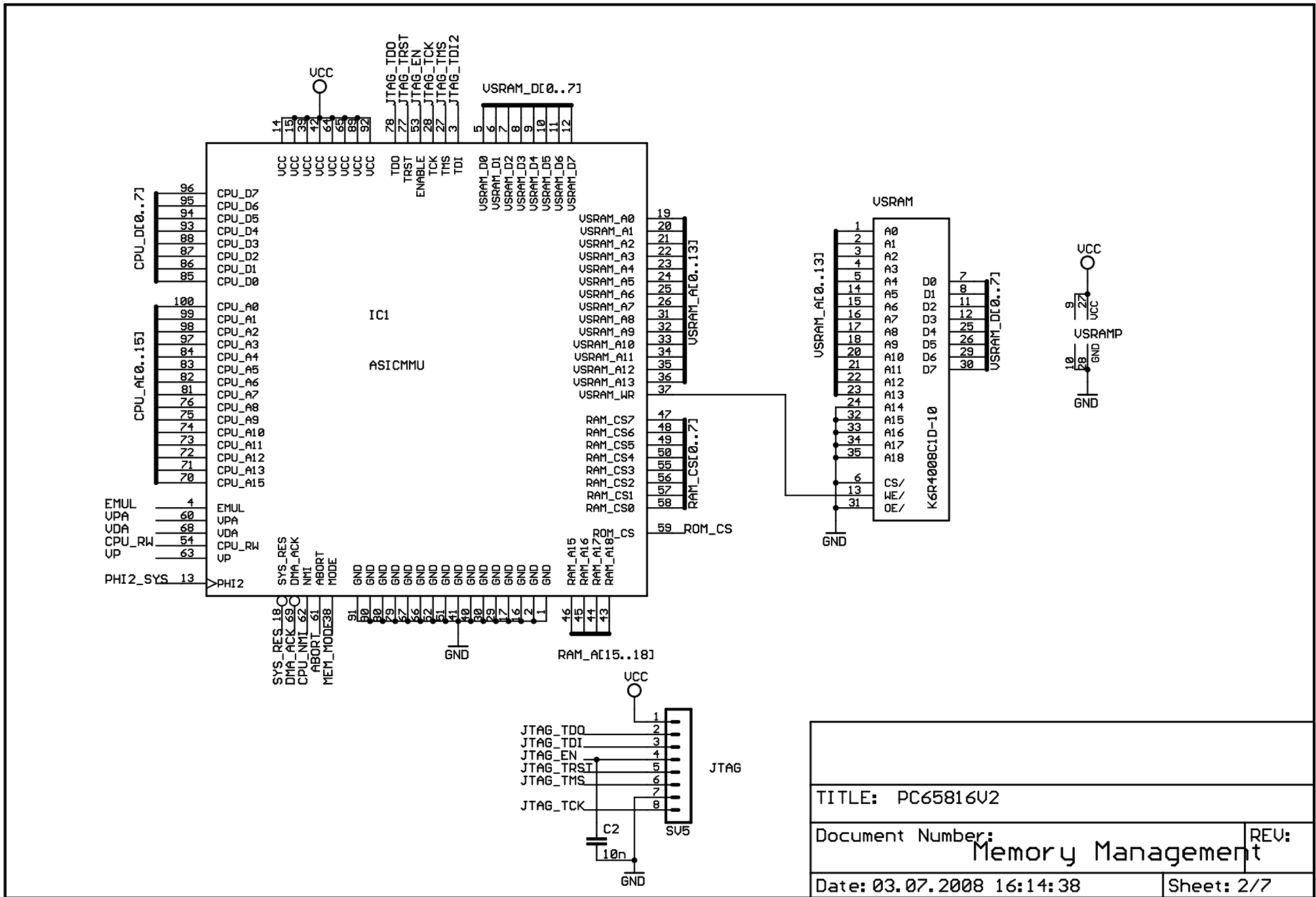
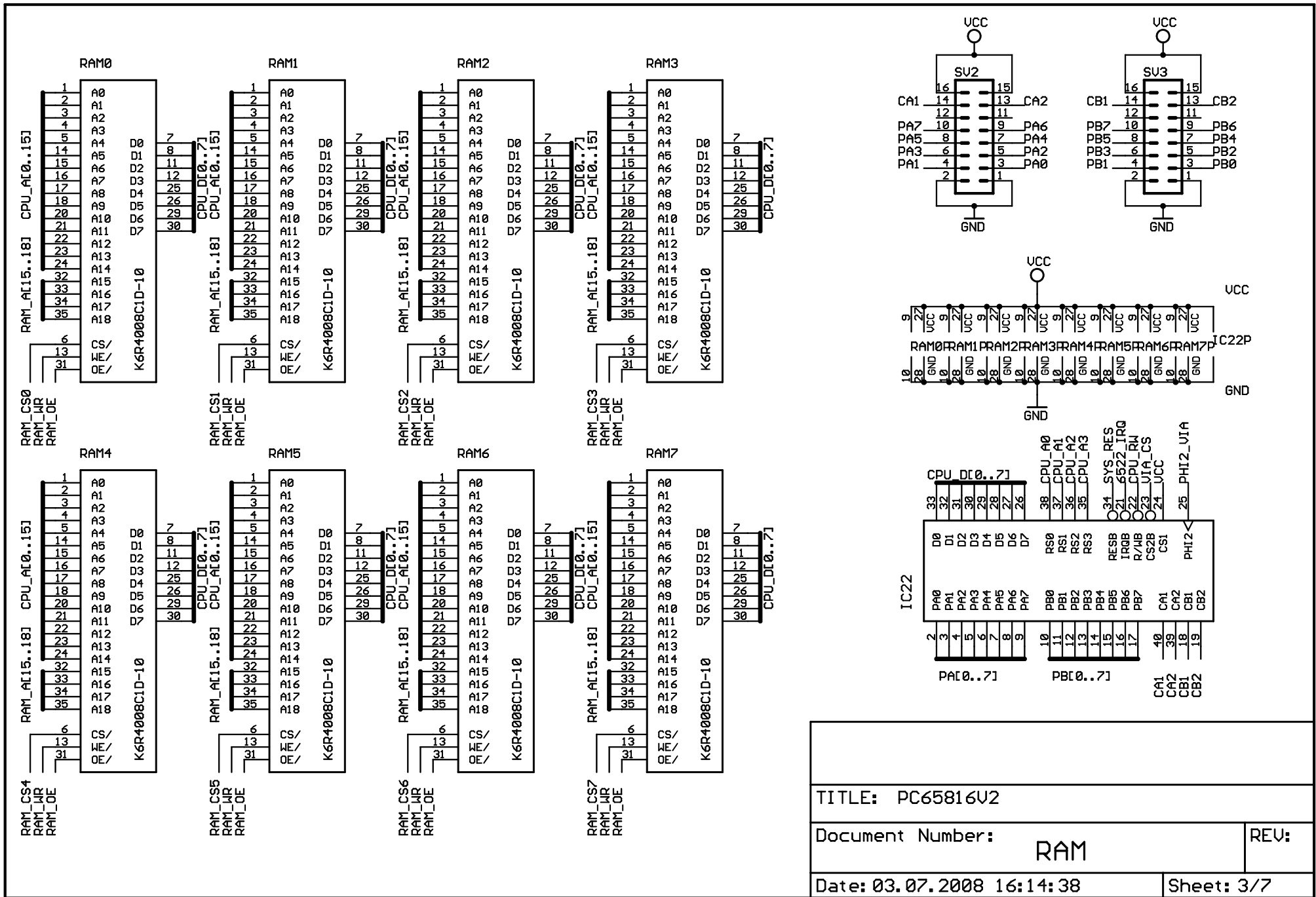
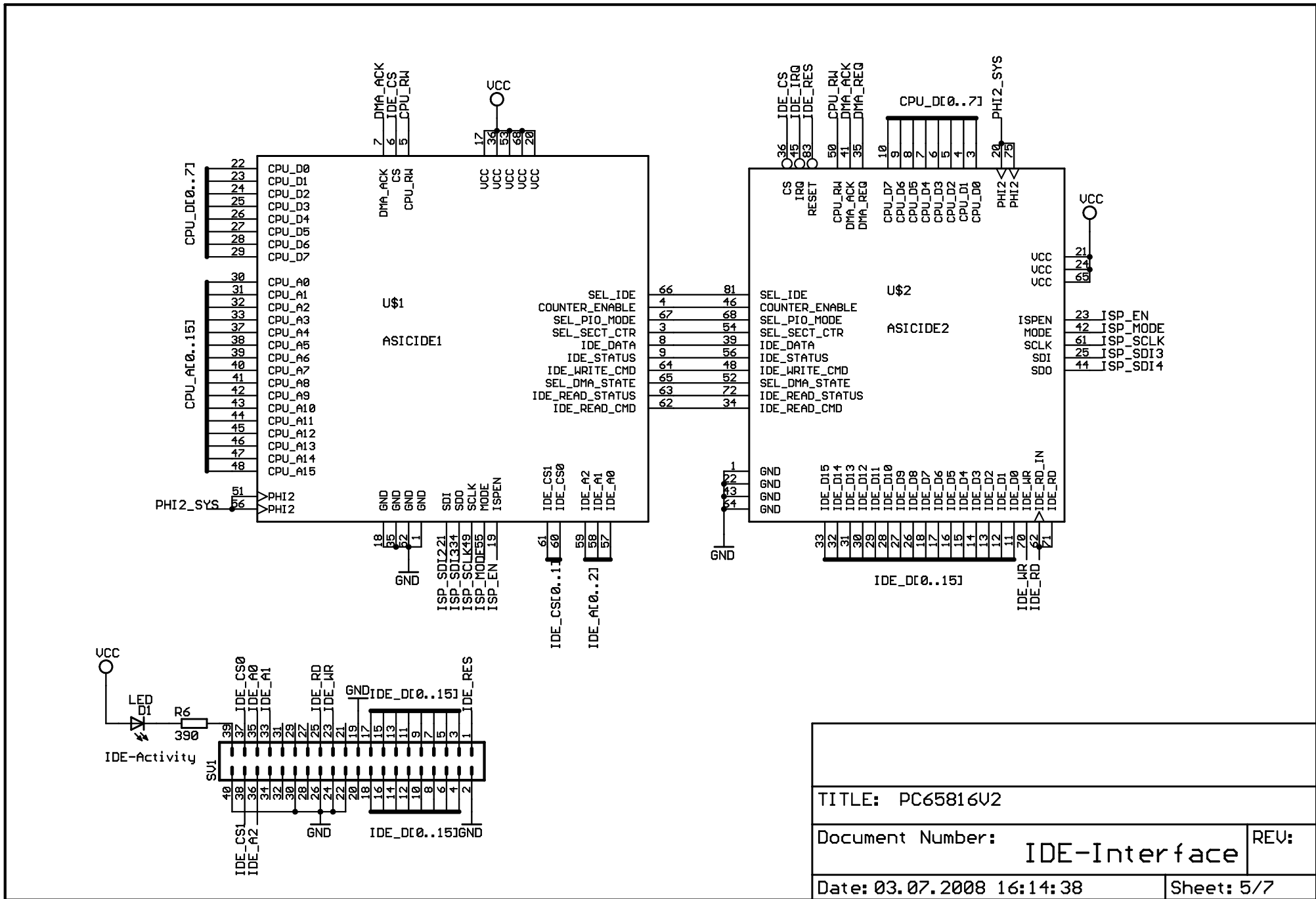


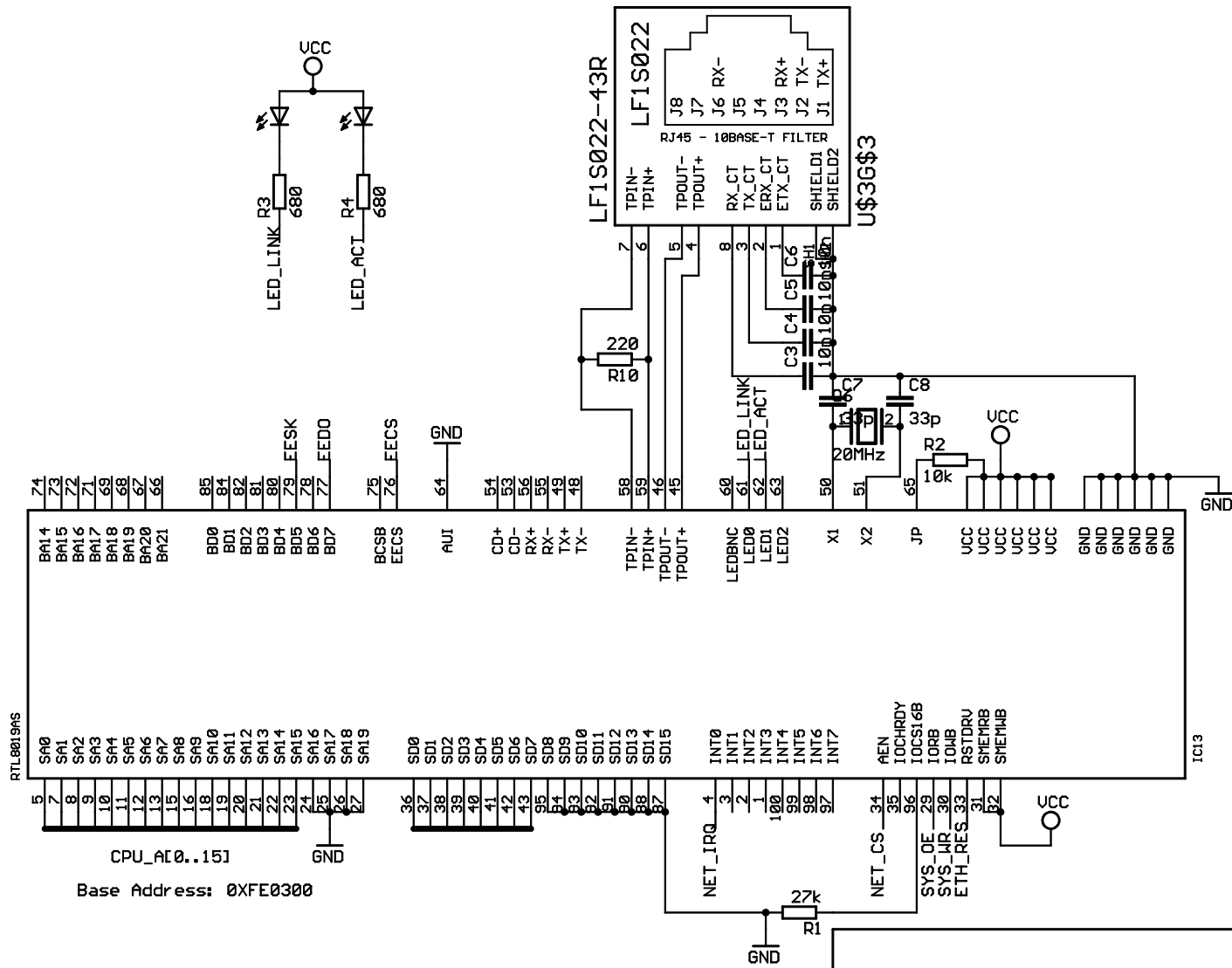
TITLE: PC65816V2	
Document Number:	CPU & Clock Gen.
Date: 03.07.2008 16:14:38	REV: 1/7







TITLE: PC65816V2	
Document Number:	IDE-Interface
Date: 03.07.2008 16:14:38	REV: Sheet: 5/7



TITLE: PC65816V2	
Document Number:	Ethernet Controller
Date: 03.07.2008 16:14:38	REV: 6/7

